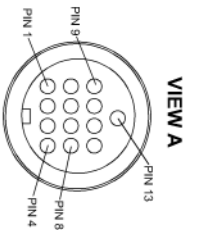
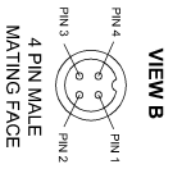


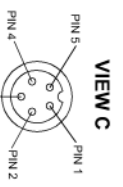
Revno	Revision note	Date	Signature	Checked
1.	CONNECTOR COLOUR CHANGED.	09/03/11	DK	MB
2.	CABLE LENGTHS CHANGED.	25/03/11	DK	MB



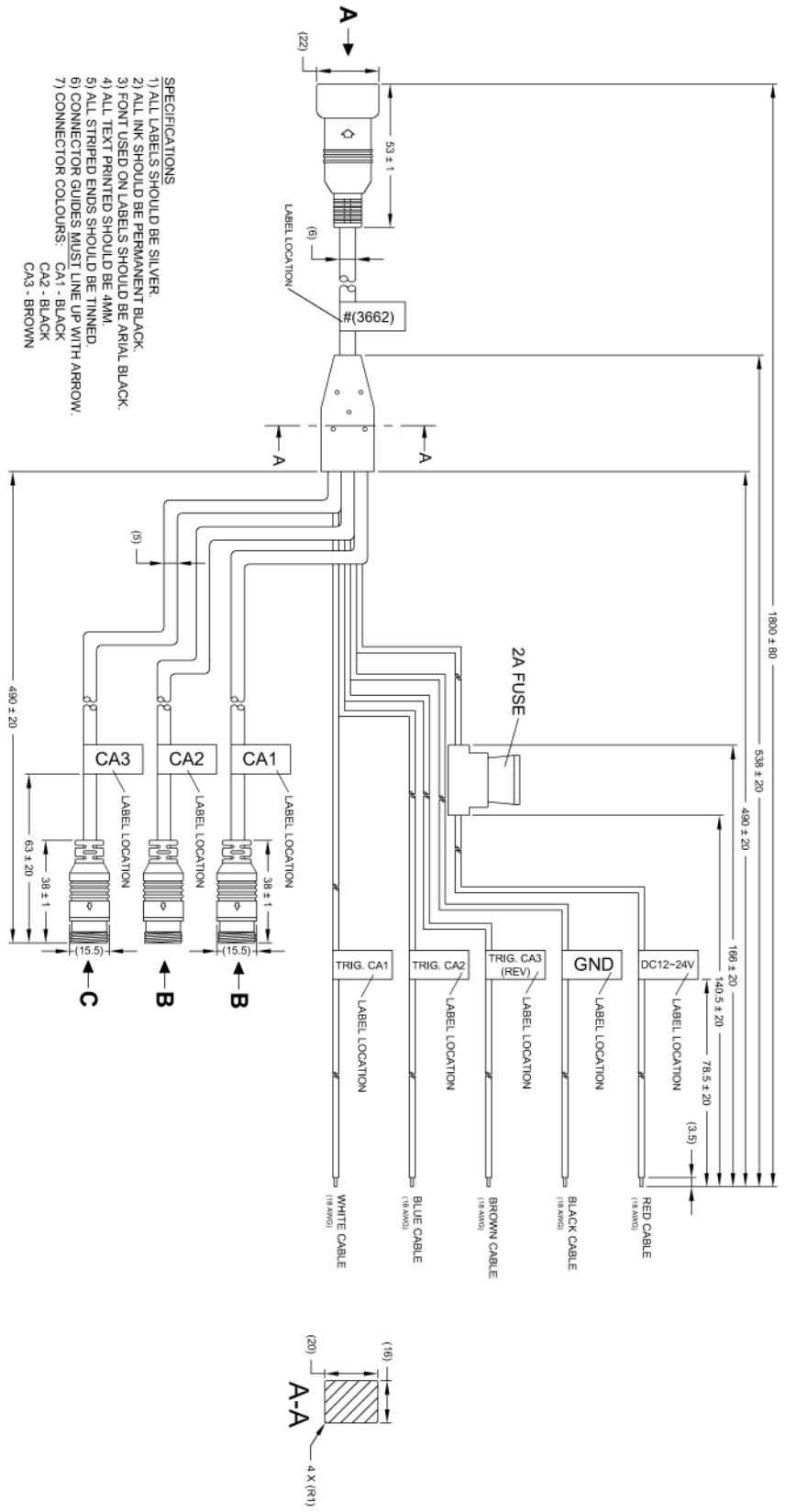
PIN #	WIRE COLOUR	DESCRIPTION
1	RED	+12V
2	BROWN	TRIGGER 3
3	BLACK	TRIGGER 2
4	PINK	TRIGGER 1
5	PALE RED	CA1 +12V OUT
6	GRAY	CA1 VIDEO
7	YELLOW	CA2 +12V OUT
8	GREEN	CA2 VIDEO
9	PALE GREEN	CA3 AUDIO
10	WHITE	CA3 VIDEO
11	BLACK	CA3 +12V OUT
12	PALE BLUE	CA3 AUDIO
13	ORANGE	CA3 VIDEO
14	BLACK	GROUND



PIN #	WIRE COLOUR	DESCRIPTION
1	RED	+12V
2	BLACK	GND
3	WHITE	AUDIO
4	YELLOW	VIDEO



PIN #	WIRE COLOUR	DESCRIPTION
1	RED	+12V
2	PINK	+122V
3	WHITE	AUDIO
4	YELLOW	VIDEO
5	BLACK	GND



- SPECIFICATIONS**
- 1) ALL LABELS SHOULD BE SILVER.
 - 2) ALL INK SHOULD BE PERMANENT BLACK.
 - 3) FONT USED ON LABELS SHOULD BE ARIAL BLACK.
 - 4) ALL TEXT PRINTED SHOULD BE 4MM.
 - 5) ALL STRIPPED ENDS SHOULD BE TINNED.
 - 6) CONNECTOR GUIDES MUST LINE UP WITH ARROW.
 - 7) CONNECTOR COLOURS:
 - CA1 - BLACK
 - CA2 - BLACK
 - CA3 - BROWN

NOTES:

1. CABLE TO BE HELD NEATLY TOGETHER BY TWIST TIE.
2. DIMENSIONS IN MM.

PROPRIETARY NOTICE
 THIS DESIGN AND TECHNICAL INFORMATION APPEARING ON THIS DRAWING IS THE PROPERTY OF BRIGADE ELECTRONICS PLC, AND IS DISCLOSED IN CONFIDENCE. IT IS NOT TO BE COPIED, REPRODUCED, REVEALED TO OR APPROPRIATE BY OTHERS, EITHER IN WHOLE OR IN PART, WITHOUT THE EXPRESS WRITTEN CONSENT OF BRIGADE ELECTRONICS PLC.

Item#	Quantity	Title/Name, designation, material, dimension etc	Article No./Reference
Designed by MBUTLER		Approved by - date JNEWMAN	Scale N/A
BRIGADE ELECTRONICS			VBV-7X0DM-SCA (#3662)
ASSEMBLY PLANT REF: #4645			Edition A
Date 11/02/2011			Sheet 1/1
Filename			
BE-001435-02-10			